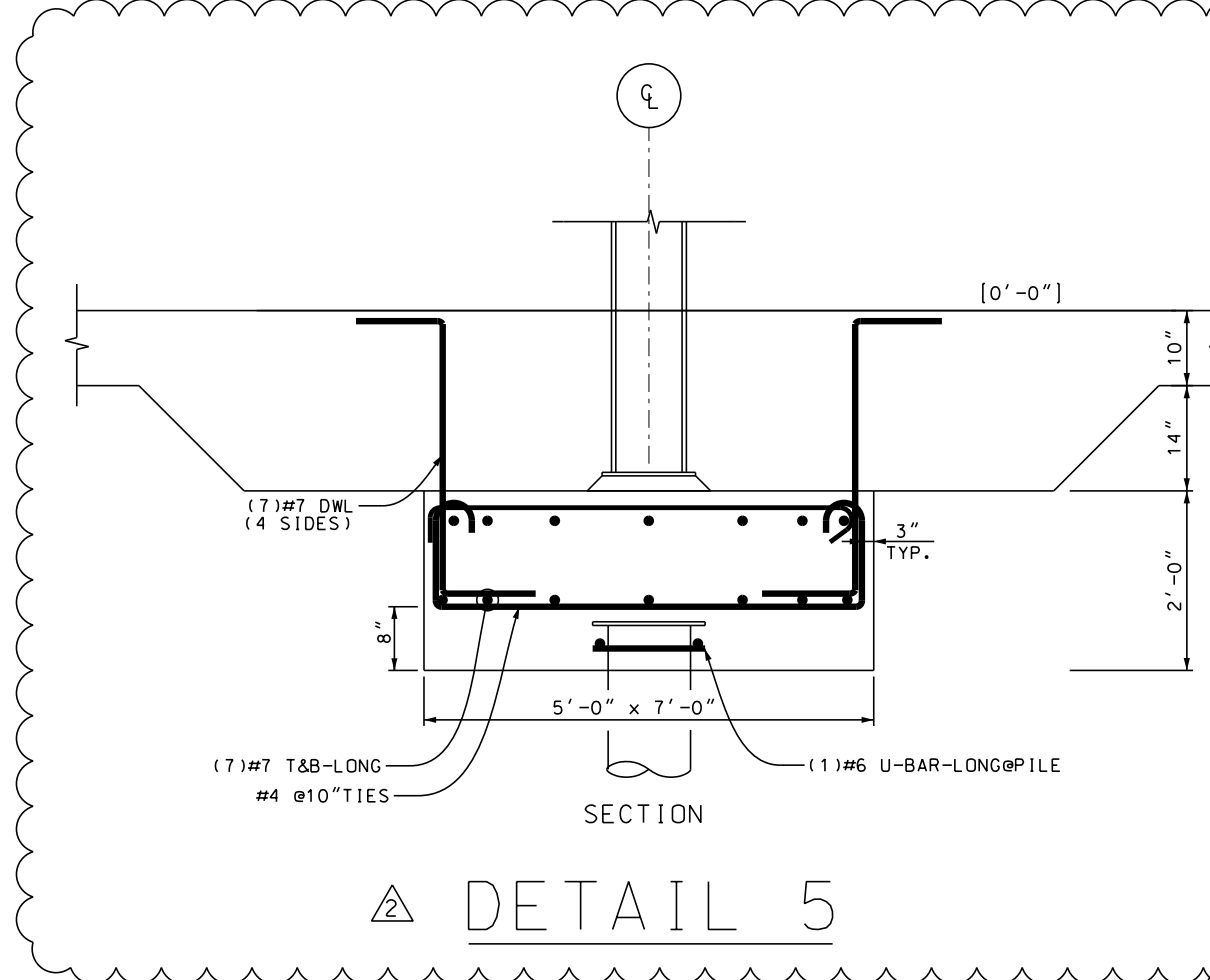


FOUNDATION PLAN  
NORTH PILE CAPS & PIERS

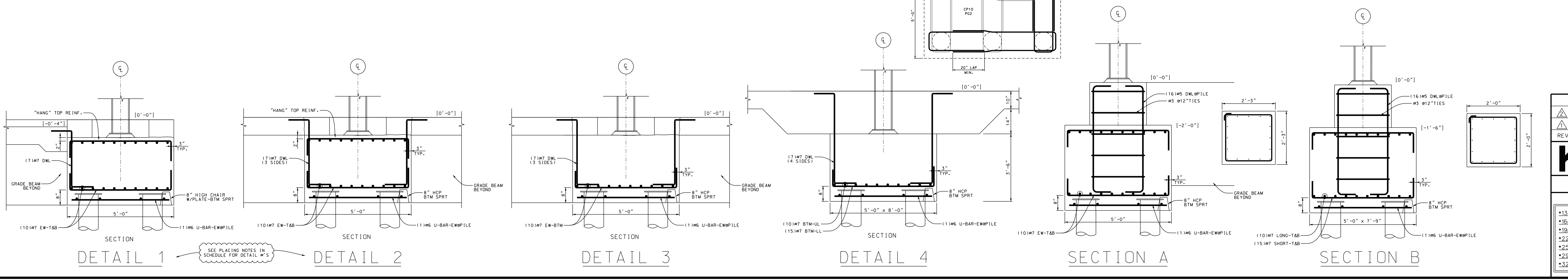
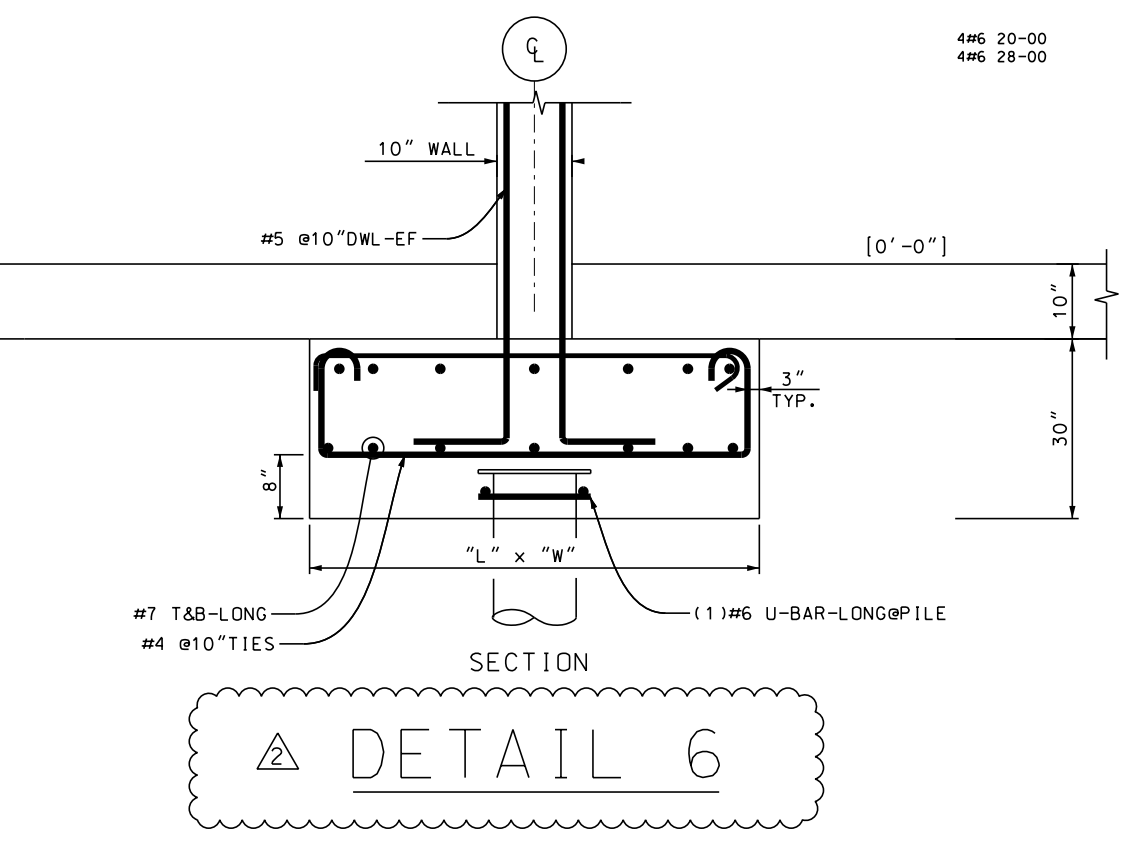
LABEL	NO	PL	QTY	PLAN LOCATION: FIN	SIZE LENGTH BARMARK	PLACING NOTES
PA	1	SECTION 1	PIER	PA	5'0" x 5'0" x 48"	DETAIL 1 OP14 PC1
PB	2	SECTION 2	PIER	PB	5'0" x 5'0" x 48"	DETAIL 2 OP12 PC2

LABEL	NO	PL	QTY	PLAN LOCATION: FIN	SIZE LENGTH BARMARK	PLACING NOTES
PC1	2	SECTION 1	PILE CAP	PC1	5'0" x 5'0" x 48"	DETAIL 1 OP14 PC1
PC2	4	SECTION 1	PILE CAP	PC2	5'0" x 5'0" x 48"	DETAIL 2 OP12 PC2
PC3	1	SECTION 1	PILE CAP	PC3	5'0" x 5'0" x 48"	DETAIL 2 (SIM.) OP12 PC3
PC4	11	SECTION 1	PILE CAP	PC4	5'0" x 5'0" x 48"	DETAIL 3 (SIM.) OP1 PC4
PC5	2	SECTION 1	PILE CAP	PC5	5'0" x 5'0" x 48"	DETAIL 3 (SIM.) OP1 PC5
PC6	1	SECTION 1	PILE CAP	PC6	5'0" x 5'0" x 48"	SECTION A OP14 PC6
PC7	1	SECTION 1	PILE CAP	PC7	5'0" x 8'0" x 42"	DETAIL 4 OP14 PC7
PC8	11	SECTION 1	PILE CAP	PC8	5'0" x 8'0" x 42"	DETAIL 4 (SIM.) OP12 PC8
PC9	2	SECTION 1	PILE CAP	PC9	5'0" x 7'0" x 42"	SECTION B OP12 PC9
PC10	1	SECTION 1	PILE CAP	PC10	5'0" x 5'0" x 30"	DETAIL 4 (SIM.) OP1 PC10
PC11	2	SECTION 1	PILE CAP	PC11	5'0" x 5'0" x 30"	DETAIL 4 (SIM.) OP14 PC11
PC12	12	SECTION 1	PILE CAP	PC12	5'0" x 5'0" x 30"	DETAIL 4 (SIM.) OP13 PC12
PC13	2	SECTION 1	PILE CAP	PC13	5'0" x 5'0" x 30"	DETAIL 4 (SIM.) OP18 PC13
PC14	1	SECTION 1	PILE CAP	PC14	5'0" x 8'0" x 42"	DETAIL 4 (SIM.) OP10 PC14
PC15	1	SECTION 1	PILE CAP	PC15	5'0" x 8'0" x 42"	DETAIL 4 (SIM.) OP10 PC15
PC16	1	SECTION 1	PILE CAP	PC16	5'0" x 7'0" x 24"	DETAIL 5 OP18 PC16
PC17	5	SECTION 1	PILE CAP	PC17	8'0" x 11'0" x 30"	DETAIL 6 (SIM.) OP15 PC17
PC18	1	SECTION 1	PILE CAP	PC18	3'0" x 11'0" x 30"	DETAIL 6 OP14 PC18
PC19	1	SECTION 1	PILE CAP	PC19	9'4" x 15'0" x 30"	DETAIL 6 (SIM.) OP15 PC19

TYPICAL DETAIL AT PILES



QTY	SIZE	LENGTH	BAR MARK	NO	TYPE	CO	A	B	C	D	BENDING DIMENSIONS	F	G	H	J	K	D
991	7	6-10	7A1	17			1-02	4-06	1-02								
413	7	4-10	7A3	20			1-00	2-10	1-00								
28	7	1-02	7A8	13			1-02	8-10	1-02								
110	7	9-10	7A10	17			1-02	1-06	1-02								
468	7	8-04	7A12	20			1-00	4-04	1-00								
20	7	9-07	7A13	17			1-02	7-03	1-02								
39	7	12-10	7A17	17			1-02	10-06	1-02								
60	7	9-00	7A18	17			1-02	6-08	1-02								
448	7	1-04	7A20	20			1-00	3-04	1-00								
12	7	7-03	7A21	17			1-02	4-11	1-02								
10	7	10-10	7A23	17			1-02	8-06	1-02								
28	7	4-06	7A37	20			1-00	2-06	1-00								
77	7	13-00	7A38	17			1-02	10-08	1-02								
14	7	1-10	7A39	17			1-02	6-06	1-02								
85	7	10-04	7A50	17			1-02	8-00	1-02								
23	7	11-02	7A55	17			1-02	8-10	1-02								
15	7	16-08	7A97	17			1-02	14-04	1-02								
428	6	7-01	6A2	17			3-00	1-01	3-00								
4	6	7-05	6A6	17			3-02	1-01	3-02								
26	6	10-01	6A11	17			0-00	1-08	6-00								
24	6	1-05	6A15	17			4-02	1-01	4-02								
2	6	15-01	6A24	17			7-00	1-01	7-00								
16	5	8-06	5A8	17			0-10	4-10	0-10								
32	5	6-00	5A15	17			0-10	4-04	0-10								
410	5	6-01	5A91	17			0-10	5-03									
4	4	1-04	4A4	20			1-06	0-06	0-06	2-11	1-06	2-10			1-05		
9	4	7-10	4A16	20			0-06	1-02	4-06	1-02	0-06	0-02	0-03				
9	4	5-03	4A17	19			0-042	4-062			0-042						
14	4	6-10	4A92	59			0-06	1-08	2-06	1-08		0-06	0-02	0-03			
14	4	3-03	4A93	19			0-042	2-062			0-042						
5	3	8-04	3A9	72			0-04	1-11	1-11	1-11	1-11			0-04			
10	3	1-04	3A16	72			0-04	1-08	1-08	1-08	1-08			0-04			
12	4	9-00															
12	4	8-00															
4	4	6-06															
20	4	5-10															



BAR SIZE	#3	#4	#5	#6	#7	#8	#9	#10	#11
SPLICE LENGTH TOP BARS	25"	32"	40"	48"	70"	80"	91"	102"	113"
SPLICE LENGTH OTHER BARS	1'0"	1'0"	1'0"	1'0"	1'0"	1'0"	1'0"	1'0"	1'0"

6-6-13	ADD PILE CAPS TO SCHED.	5-17-13	APPROVAL
5-28-13	REVISED FOR FILE & FIELD USE	5-17-13	APPROVAL
REV DATE	DESCRIPTION	DATE	SENT FOR
<b>KLEIN</b>	11 TURNER DRIVE SPENCERTOWN, NY 14559 TEL. 585-352-9433 FAX 585-352-4474		<b>CRSI</b>
DRIVING SERVICES			MEMBER
BAR EQUIV.	DRAWING COVERS	FOUNDATION PLAN	
STRUCTURE		NORTH SIDE PILE CAPS & PIERS	
LOCATION		R.I.T. ICE RINK	
ARCH.		GENE POLISSEN CENTER	
ENC./ARCH.		ROCHESTER, NY	
CUSTOMER		SCI/BBB ARCHITECTS	
		MANNING SQUIRES HENNING	
DETAILED BY	MHK	JOB NO.	436-13
GRADE:	60	DATE:	5-17-13
		DRWG. NO.	1