

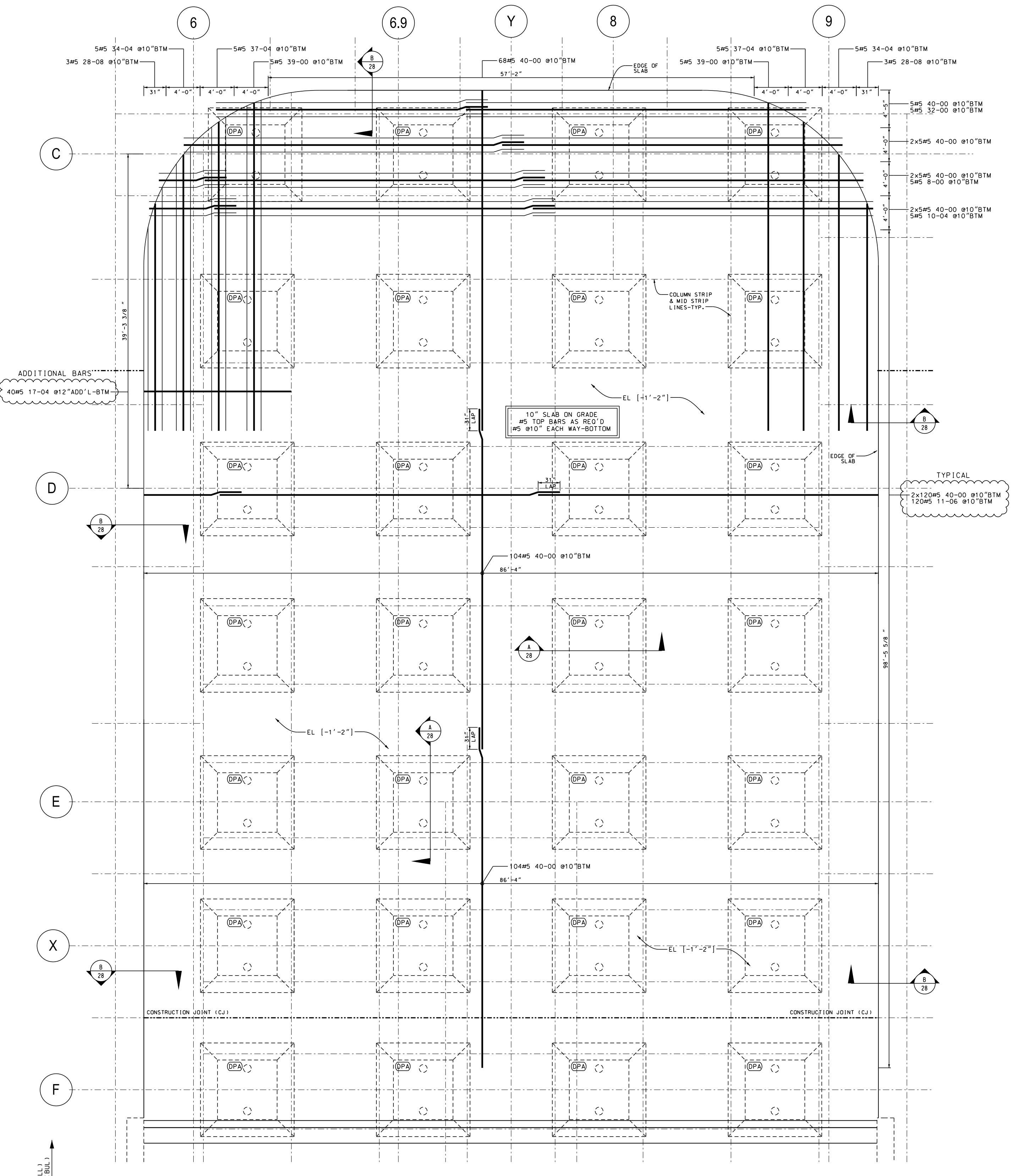
DROP PANEL SCHEDULE

LABEL	NO	PL	QTY	PLAN LOCATION: FWD	SIZE	LENGTH	BARKMARK	PLACING NOTES
DPA	44			Cross Ref: DPA				SEE SECTION A
				SECTION: DROP				20' FT
				2x	8	7	7A141	ENCL
				2	6	6A2	6A2	OFFICE
				2	6	6-0	4A156	STAINLESS
				2	4			8' PLS
								8' TRCP

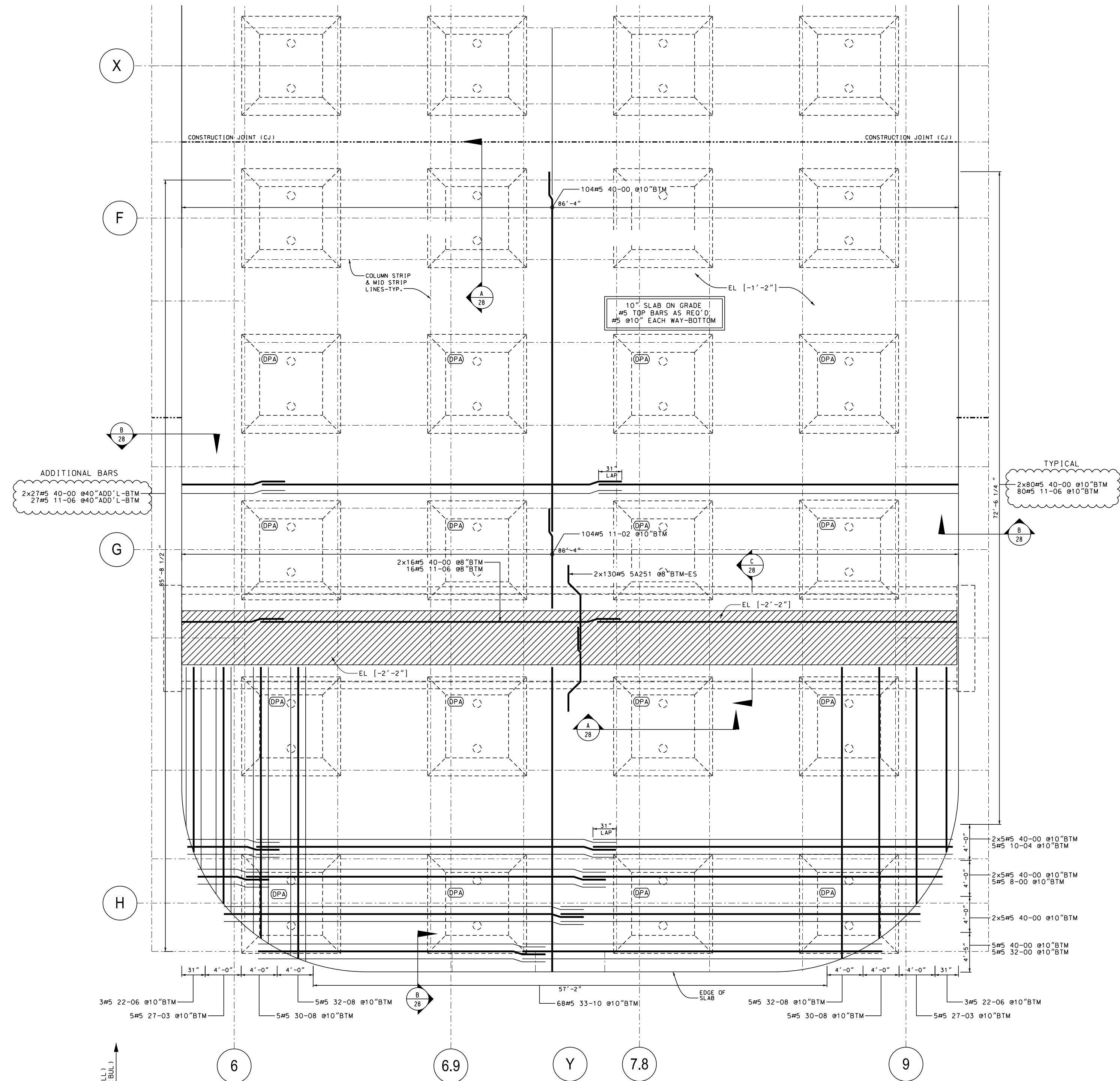
QTY	SIZE	WED	END	BAR	V	END	A	B	C	D	E	F	G	H	J	K	O
104	7	13-01		TA141	3		1-00	2-02	7-08	2-02	1-00		1-11		1-11		
88	4	7-01		6A2	17		3-00	1-01	3-00								
260	5	10-03		5A251	3		5-10	2-04	2-00					1-081		1-081	
352	4	6-05		4A156	25		1-08	1-04	0-06	1-04	1-06			1-04		0-08	
88	6	6-00															
576	5	40-00															
10	5	39-00															
10	5	37-04															
10	5	34-04															
68	5	33-10															
10	5	32-08															
10	5	32-00															
10	5	30-08															
6	5	28-08															
10	5	27-03															
6	5	26-06															
40	5	17-04															
243	5	11-06															
104	5	11-02															
10	5	10-04															
10	5	8-00															

BAR LAPS										
BAR SIZE	#3	#4	#5	#6	#7	#8	#9	#10	#11	
SPLICE LENGTH	25"	32"	40"	48"	70"	80"	91"	102"	113"	
TOP BARS	2'-11"	2'-8"	3'-4"	4'-0"	5'-10"	6'-8"	7'-7"	8'-6"	9'-5"	
SPLICE LENGTH	18"	28"	31"	37"	34"	48"	73"	79"	87"	
OTHER BARS	1'-7"	2'-1"	2'-7"	3'-1"	4'-6"	5'-2"	6'-0"	6'-7"	7'-3"	
SPLICE LENGTH	12"	15"	19"	23"	27"	30"	34"	39"	43"	
COMPRESSION	1'-0"	1'-3"	1'-7"	1'-11"	2'-3"	2'-6"	2'-10"	3'-3"	3'-7"	

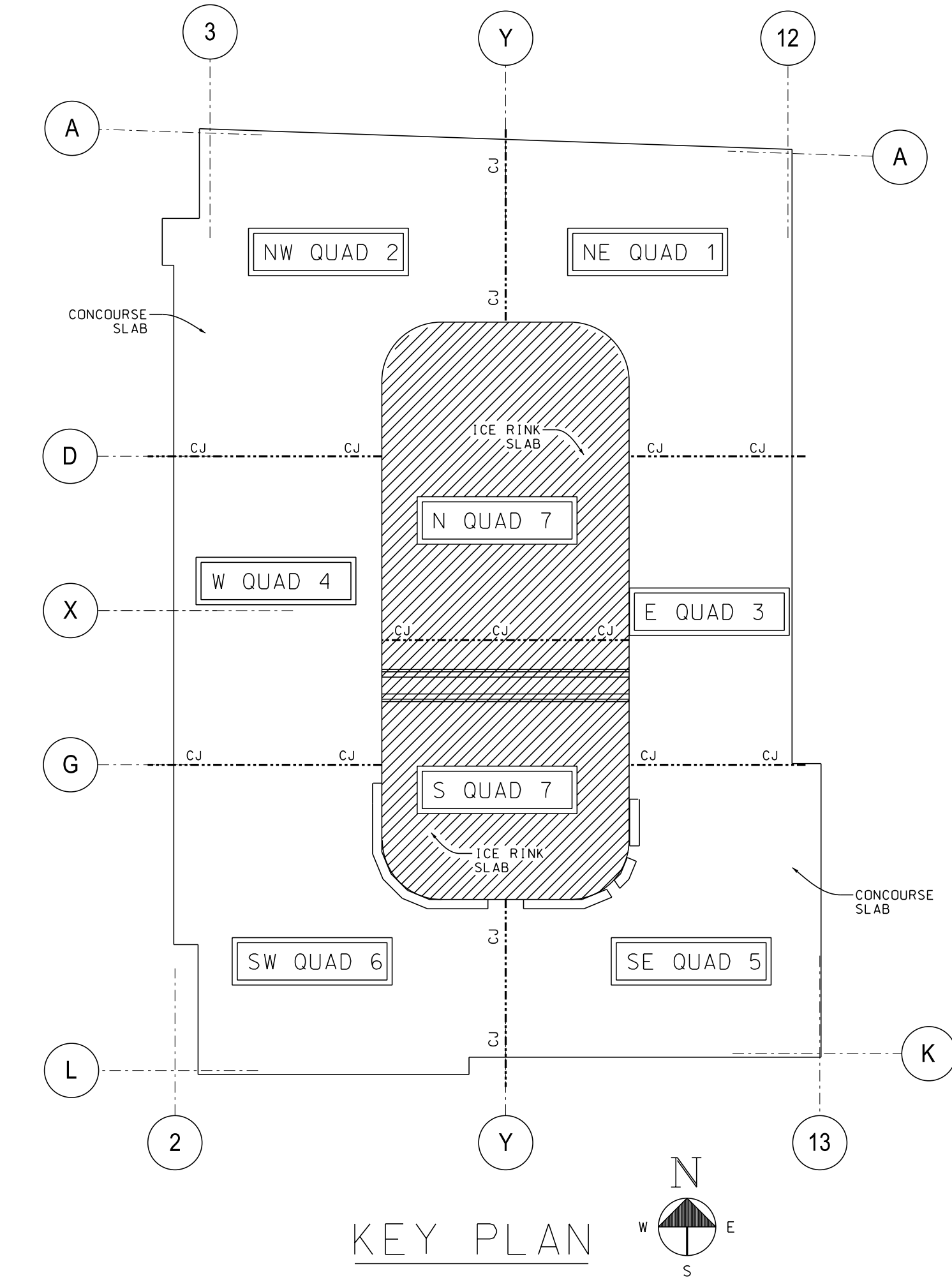
NOTE: ALL LAPS IN CLASS "B" FORMS 11
TENSION DEVELOPMENT & LAP SPLICE LENGTHS FOR BARS (ACI 12.2.2)



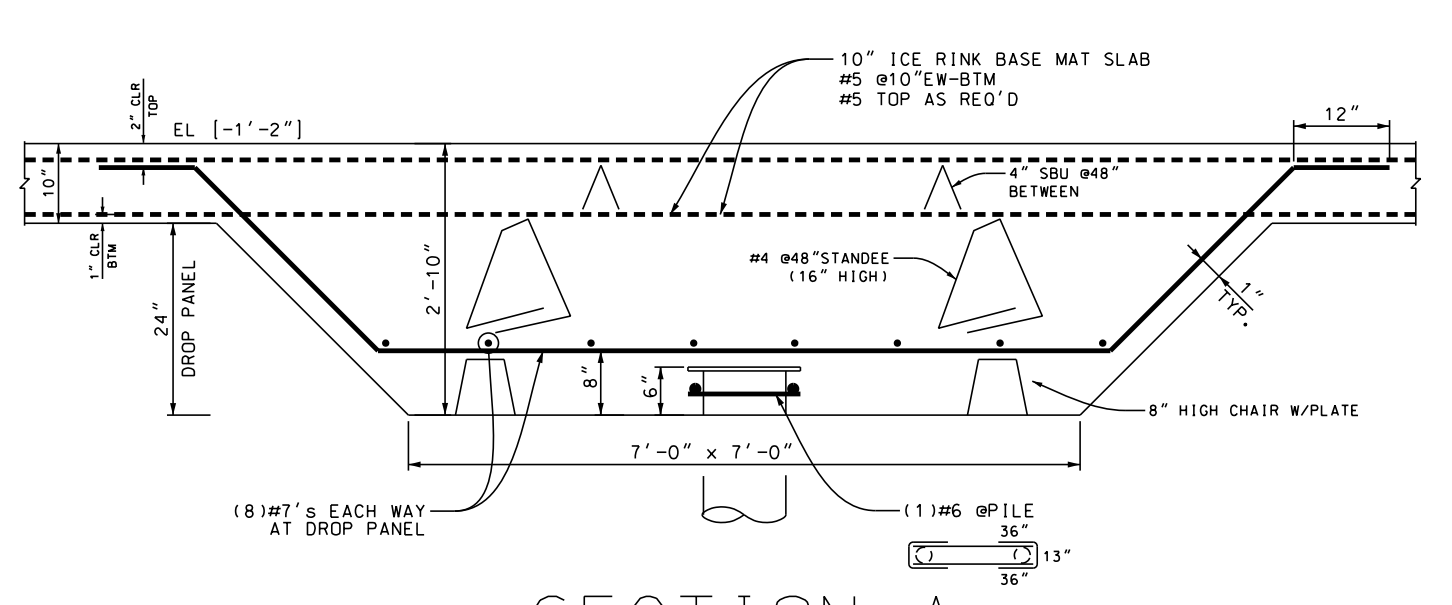
SLAB ON GRADE PLAN
NORTH QUADRANT 7
(ICE RINK - BOTTOM BARS)



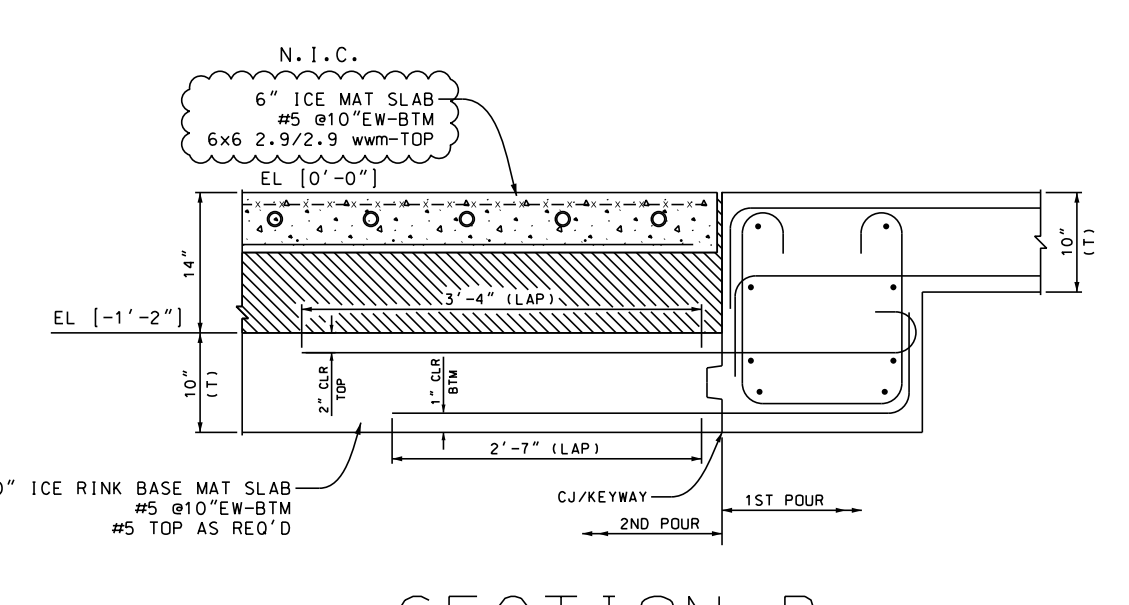
SLAB ON GRADE PLAN
SOUTH QUADRANT 7
(ICE RINK - BOTTOM BARS)



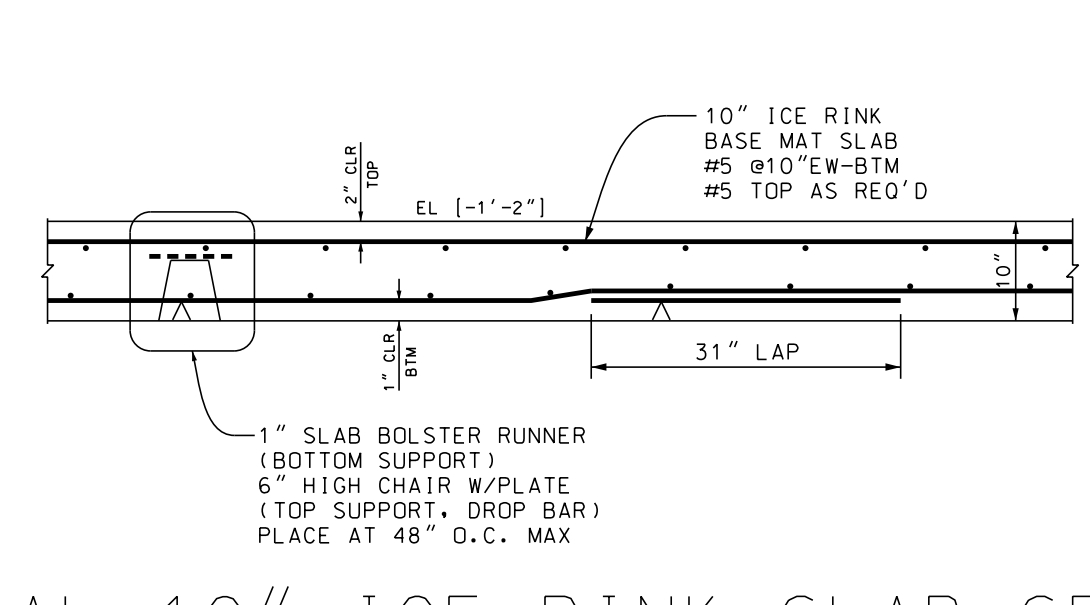
KEY PLAN



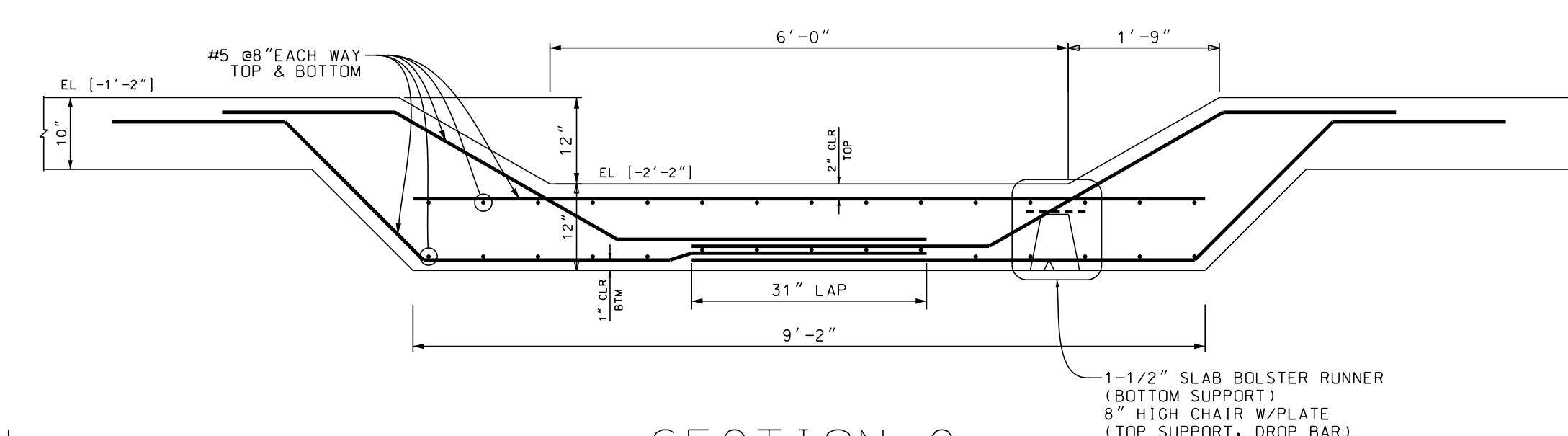
SECTION A



SECTION B



TYPICAL 10" ICE RINK SLAB SECTION



SECTION C

1-28-14	REVISED HEADER TRENCH LOCATION	11-7-13	APPROVAL
REV	DATE	DESCRIPTION	DATE
KLEIN	REINFORCING SERVICES	11 TURNER DRIVE SPENCERPORT, NY 14559 TEL 585-352-9433 FAX 585-352-4474	CRSI MEMBER
DRAWING COVERS		SLAB ON GRADE PLAN	
STRUCTURE		NORTH/SOUTH QUAD 7 (BOTTOM BARS-NORTH/SOUTH)	
LOCATION		R.I.T. ICE RINK GENE POLISSEN CENTER	
ENC/ARCH		SCI/BBB ARCHITECTS	
CUSTOMER		MANNING SOUTHERS HENNING	
DETAILER: MHK	JOB NO: 436-13	DRWG. NO	
GRADE: 60	DATE: 11-7-13		28